



## Patio

# Patio Table and Garden Bench

## Wheelchair Accessible

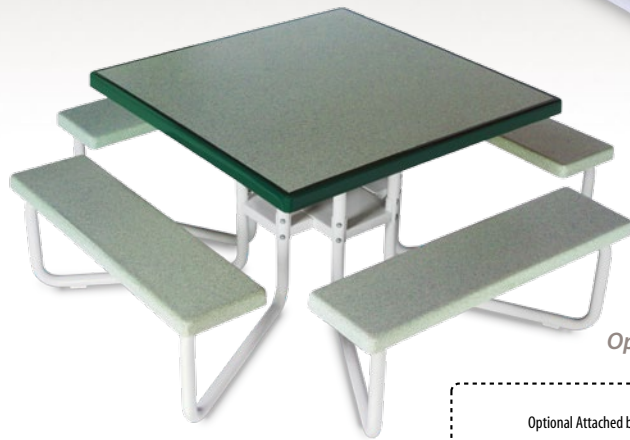
**Functional and Transformable**, that is the idea behind the new Space Tables Patio Table. Fiberglass and Steel blended together to give your facility the most adaptable patio table on the market. Our patio table can be ordered with two benches, three benches or all four benches to custom fit your situation. Transform your outdoor living areas with a modular patio table and enjoy the benefits for years to come. Available with or without umbrella hole.

### Table color choices

- Timeless
- Classic Granite

### When ordering specify

- Table color
- Edge Color Optional - Choose from Timeless Color Collection

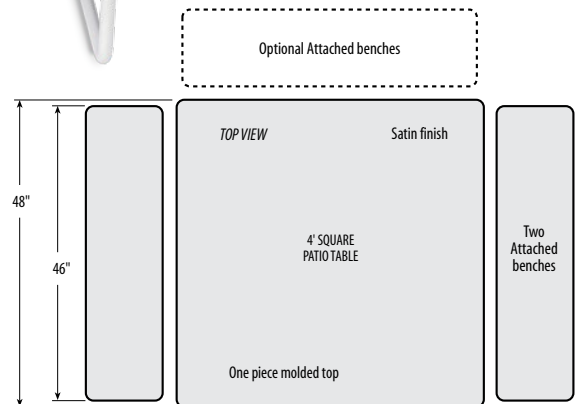


#320 - 2 Bench  
#330 - 3 Bench  
#340 - 4 Bench

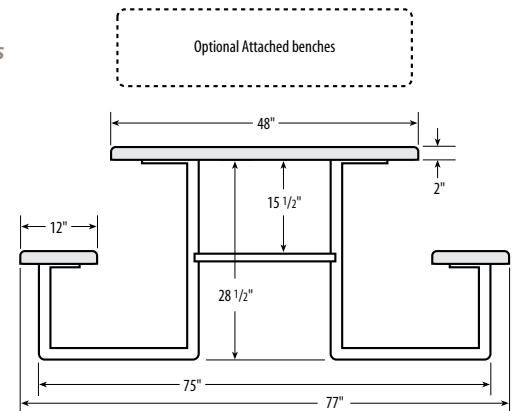
Optional Umbrella Hole



*Patio Table available in Two, Three or Four bench versions for wheelchair accessibility*



### Optional Backrest for Benches



14 gauge tubular steel legs with 3 coatings: Zinc, Yellow Chromate and electrostatically applied urethane powder coatings

